

Always a  
cut ahead!



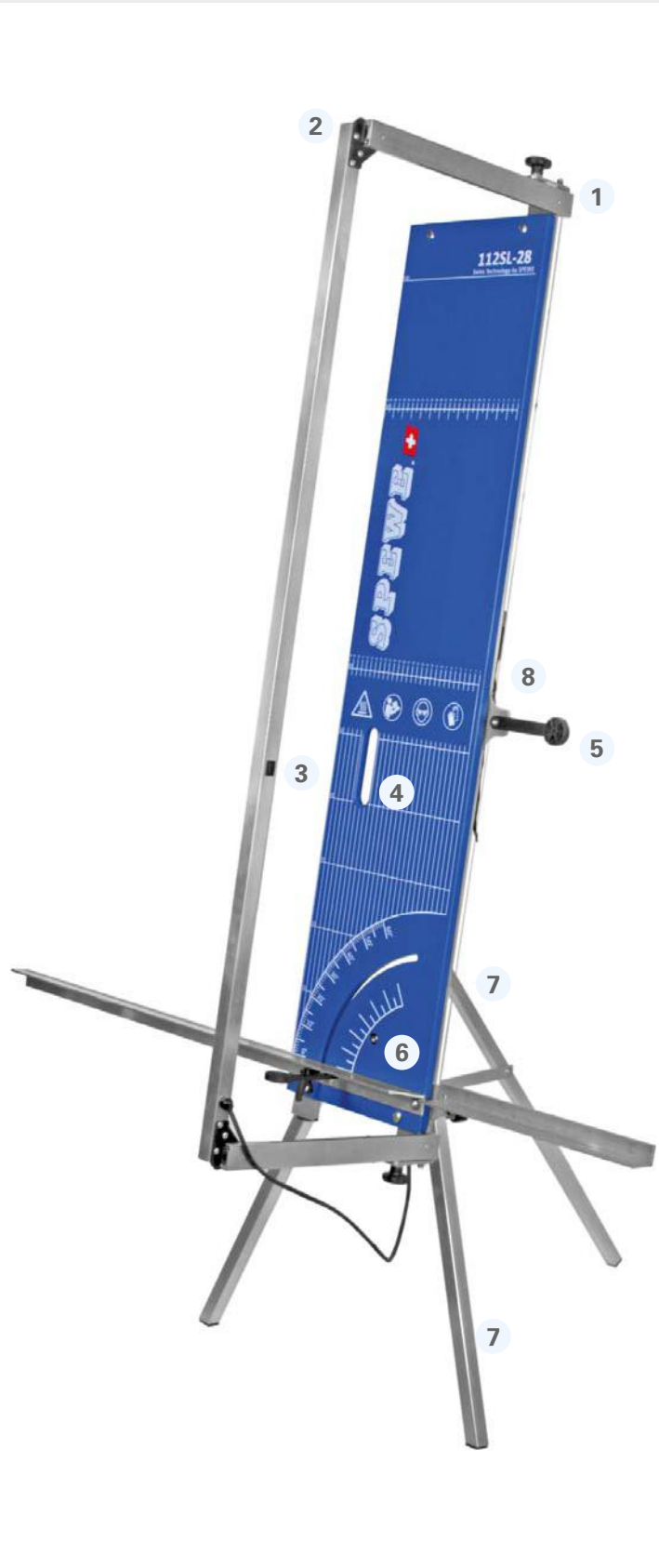
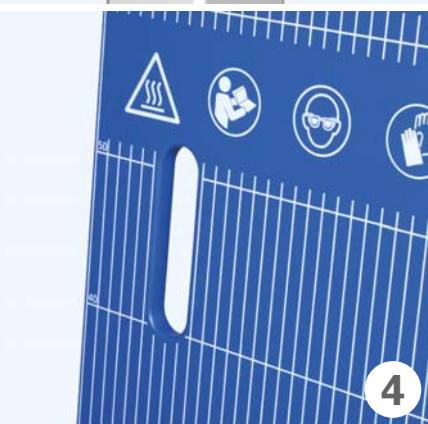
**Glow-wire cutting device SPEWE 112SL-28**



**SPEWE.** 

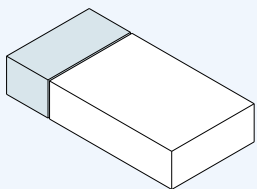
# SPEWE 112SL-28

## Convincing details

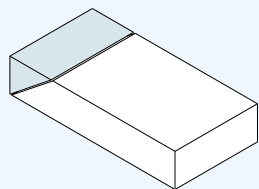


## Types of cuts

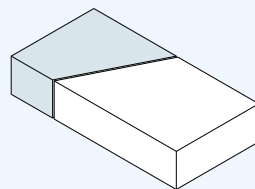
straight



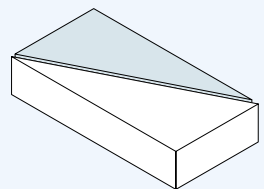
mitre



bevel



diagonal



# Glow-wire cutting device

## Installation positions

9



10



- 1 Swivel bow cutter with degree display
- 2 Depth-gauge bolts on both sides for precise separating cuts
- 3 The push button ensures that the device is only in operation when it is actually needed. Ready to use immediately without warm-up time
- 4 Recessed grip
- 5 Optional swivel-mounted insulation boards
- 6 Clear scaling on the base panel. Continuously adjustable bracket track for individual and precise bevel cuts up to 60°. Optional right hand bracket track
- 7 Swivel footrests are included with the equipment. Optional free-standing support
- 8 Belt with snap lock to prevent tipping. The device can be leaned, fixed and continuously inclined on scaffolding
- 9 Standing unit with optional free-standing support
- 10 Tip-resistant mounting on railings



## Accessories for SPEWE 112SL-28

### Included with the equipment

- 1 Spare wire
- 1 Spare fuse

### Optionally available

Bracket track 112SL, right, complete

Free-standing support

Transport bag

Aluminium case



### The product

The easy-to-handle and light glow-wire cutting device SPEWE 112SL-28 is used on the scaffold/railings or leaned on the wall. Can be retrofitted with the optional free-standing support for use as upright model.

### Technical Data

- Cutting depth at 90°: 285 mm
- Cutting depth at 45°: 205 mm
- Cutting length: 1270 mm
- Weight: 11.6 kg

### Delivery information

Glow-wire cutting device SPEWE 112SL-28 with transformer, device supports, railing fastening, 1 spare wire, 1 spare fuse



### Spewe AG

Hauptstrasse 332  
Gewerbegebiet Mösli  
CH-5326 Schwaderloch

Phone: +41 56 203 03 30  
Fax: +41 56 203 03 31  
Website: [www.spewe.ch](http://www.spewe.ch)